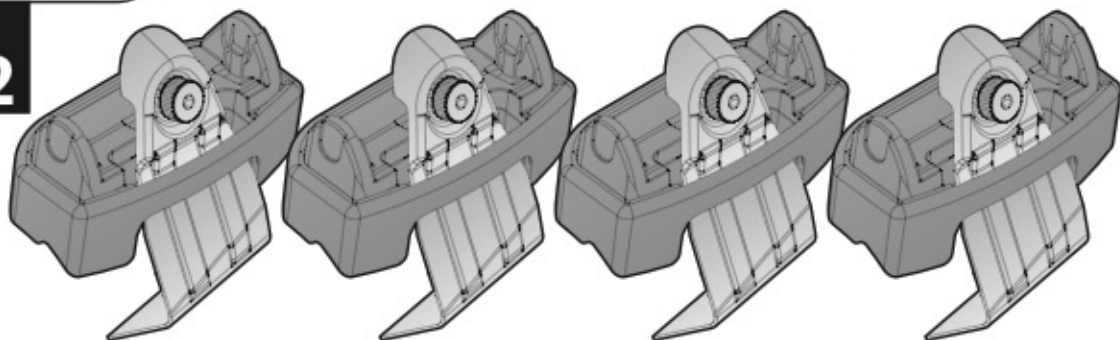


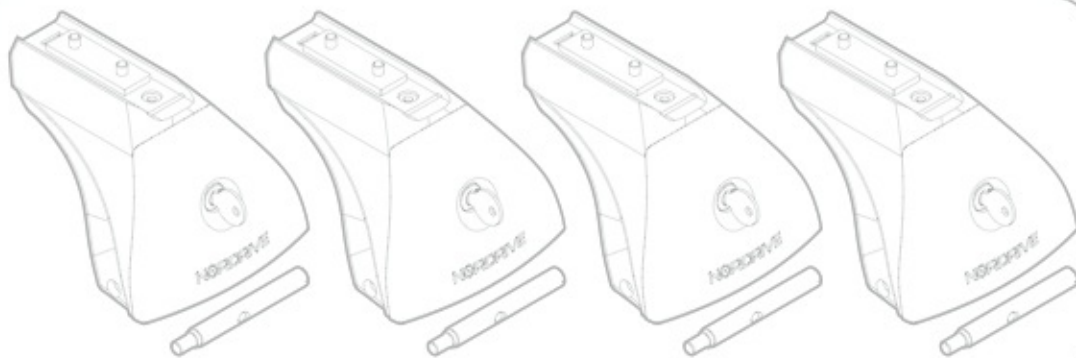
Art.
N21142



C

+

Art. **N20001**



B

+

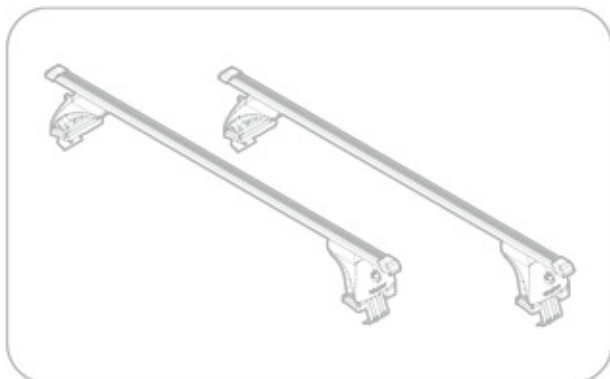
Art. **N15020**



A

ACCIAIO
Steel

=



Art. **N15025**



A

ALLUMINIO
Aluminium

=

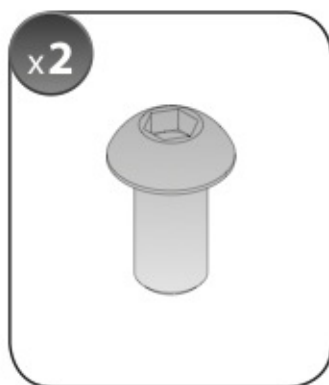
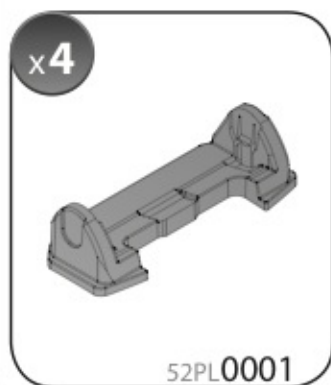
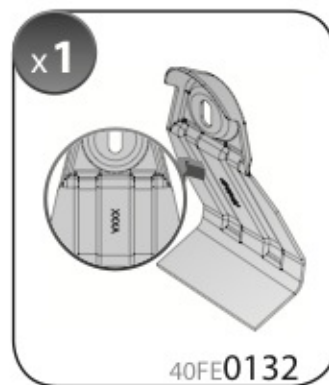
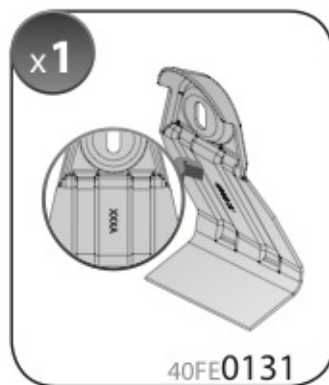
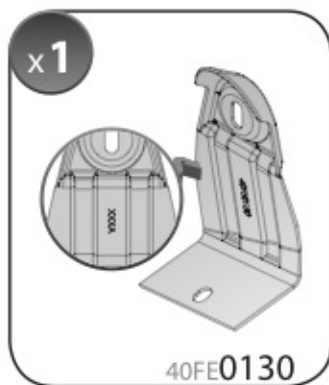
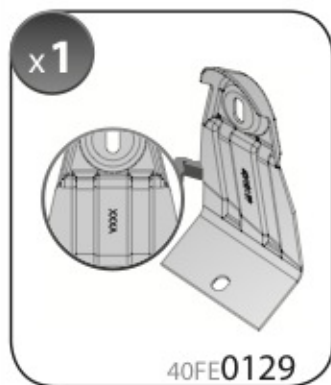
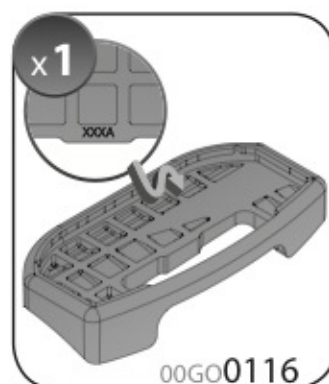
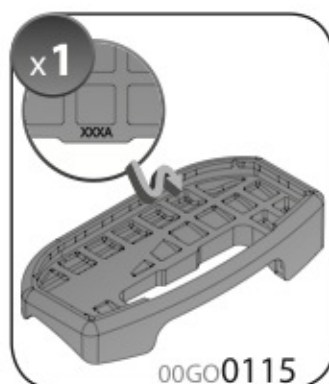
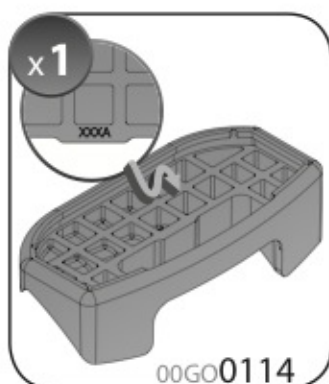
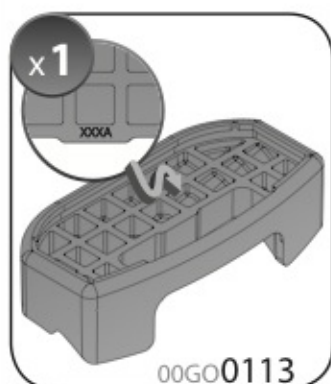
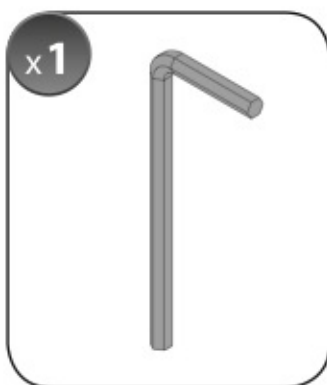


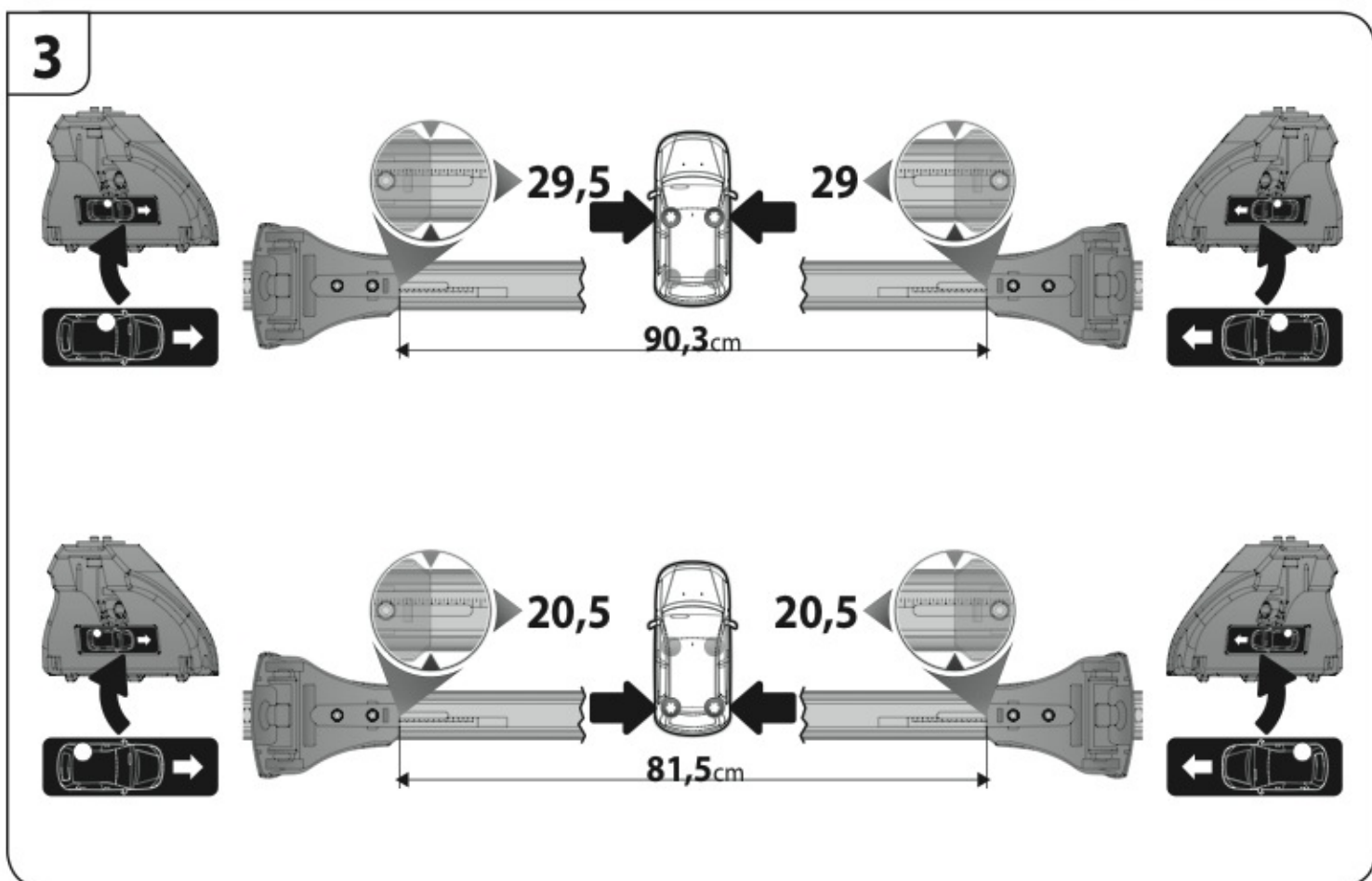
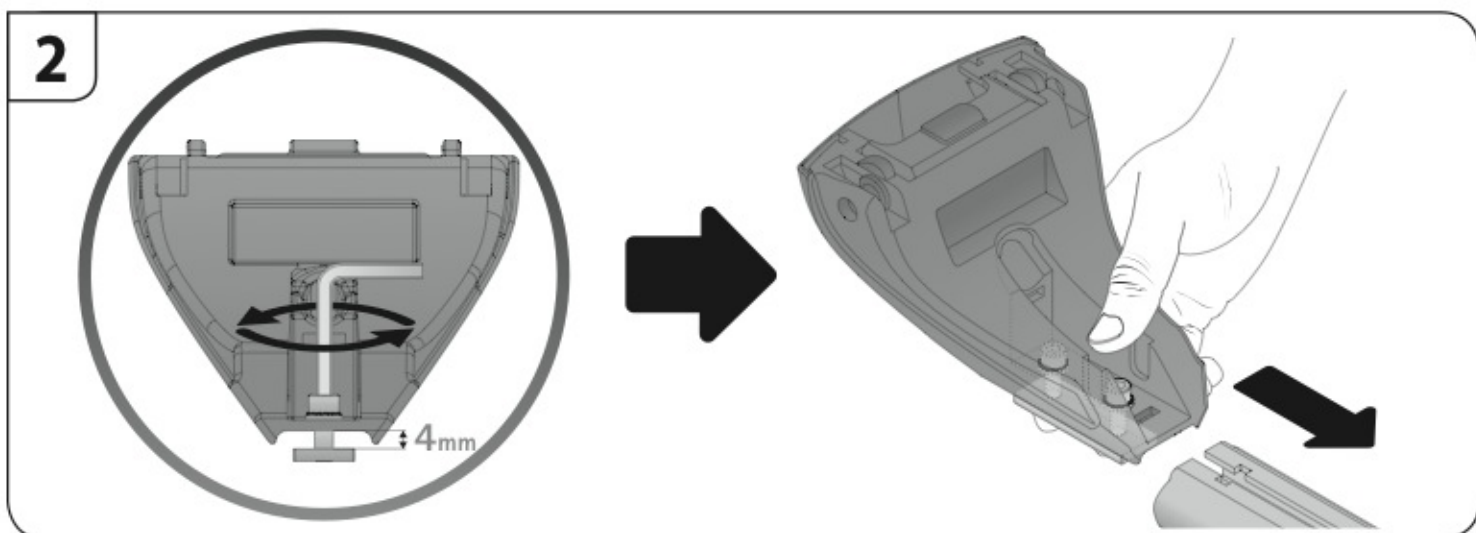
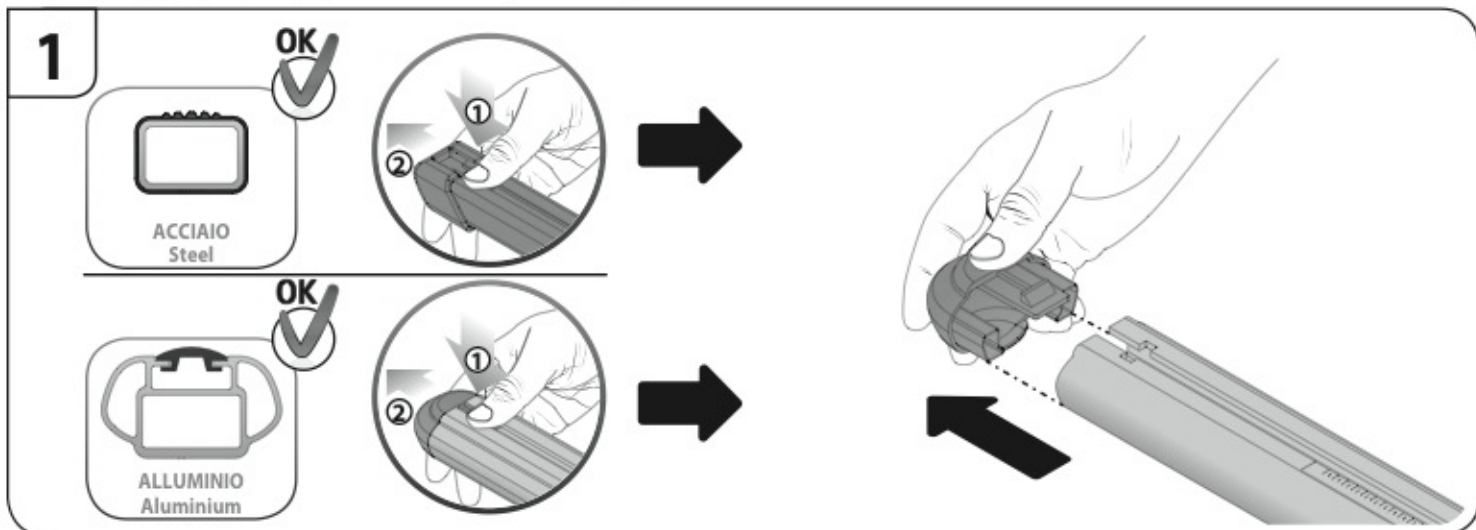


SEAT LEON

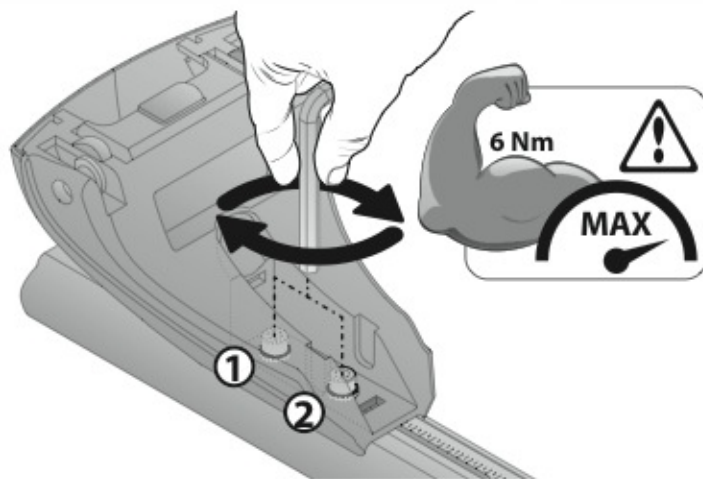
1/13 →

Art. **N21142**

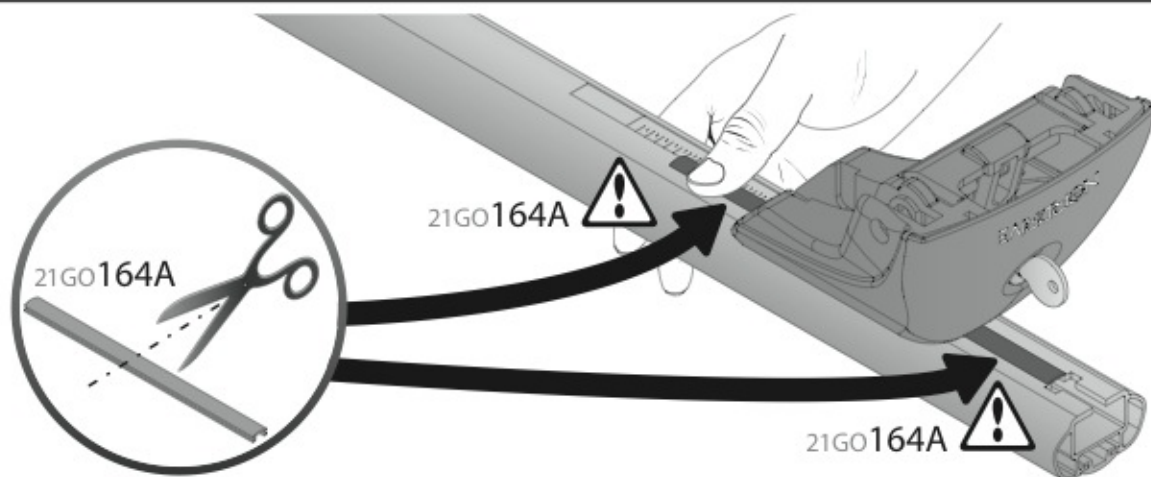




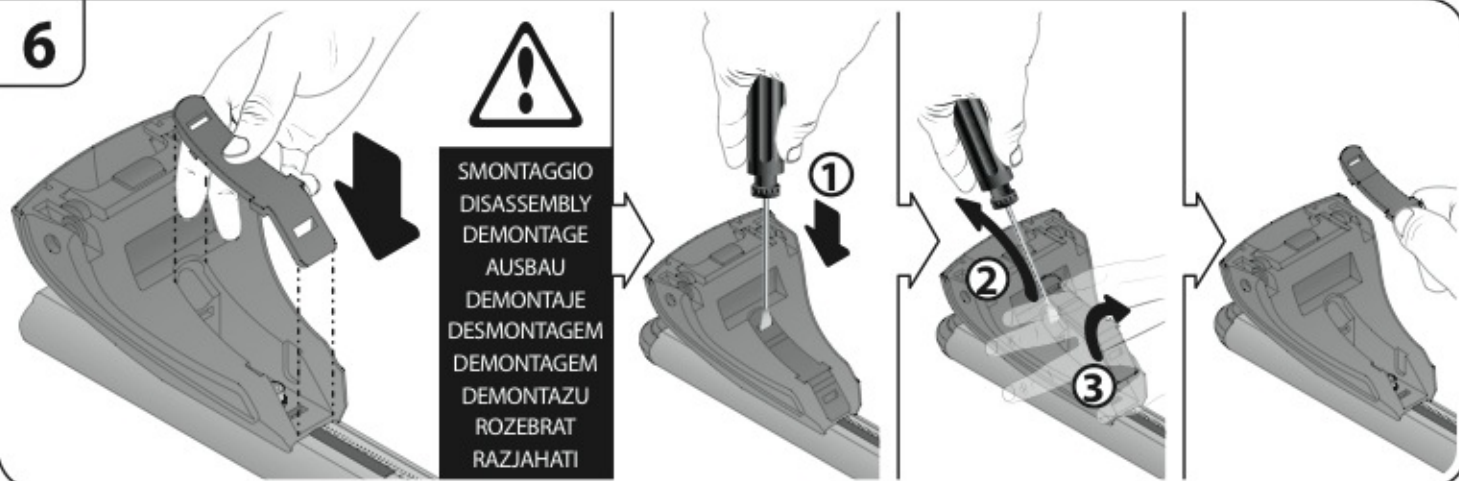
4



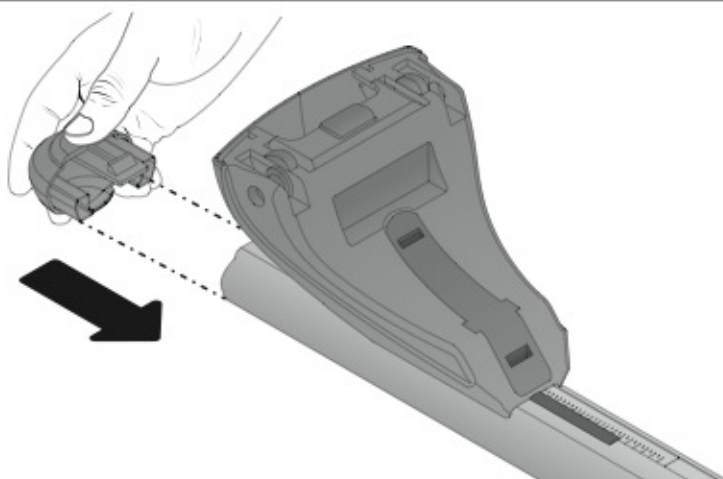
5



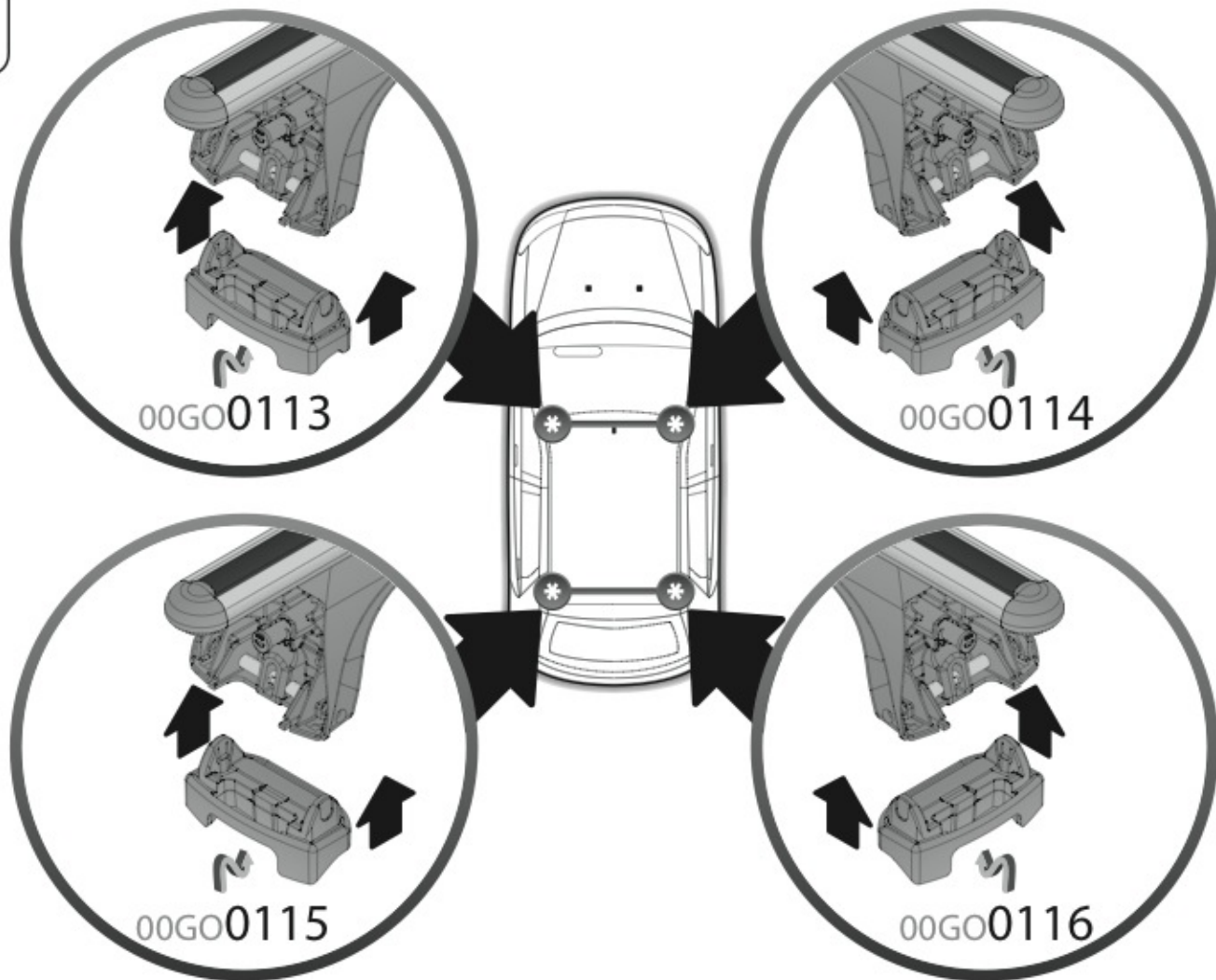
6



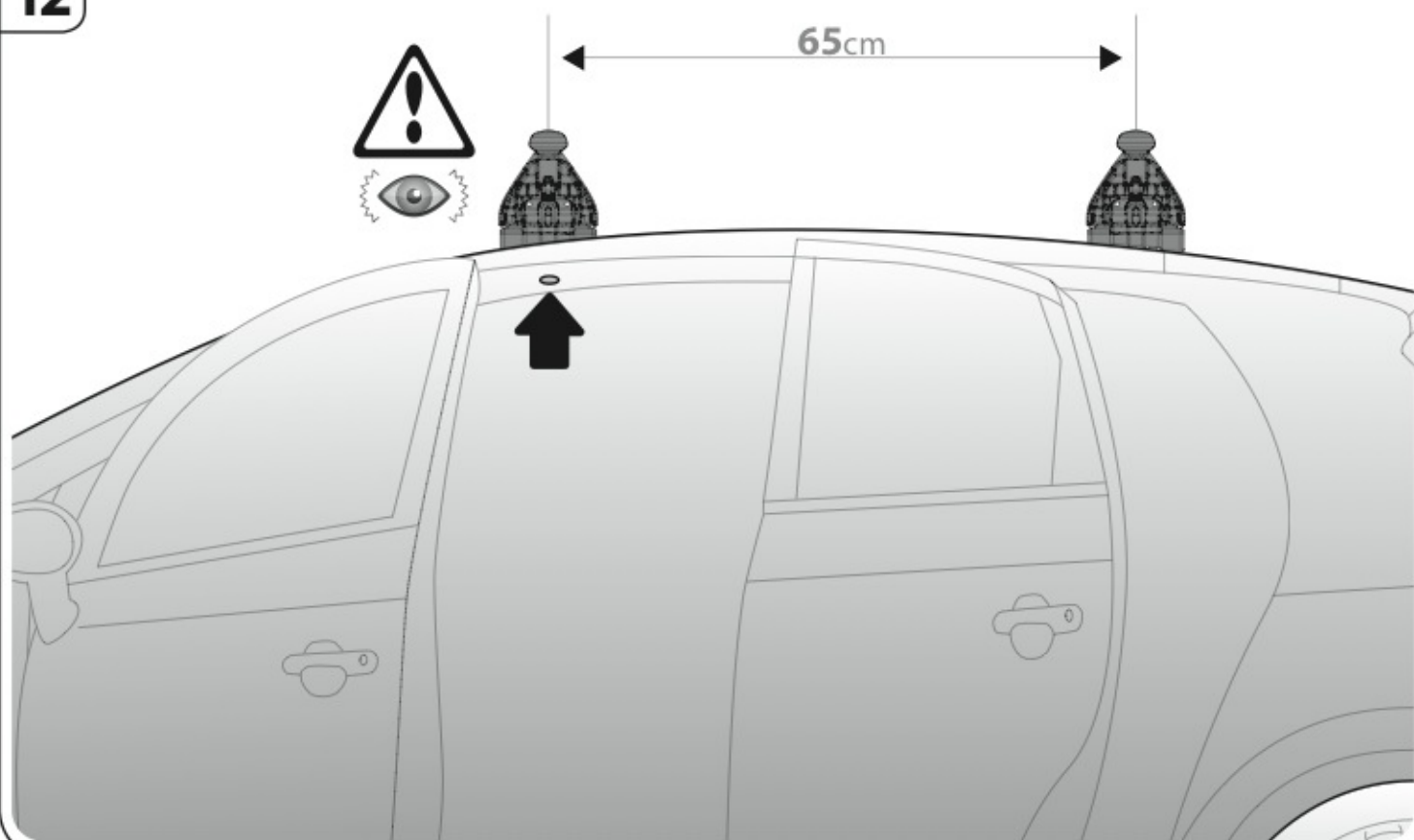
7



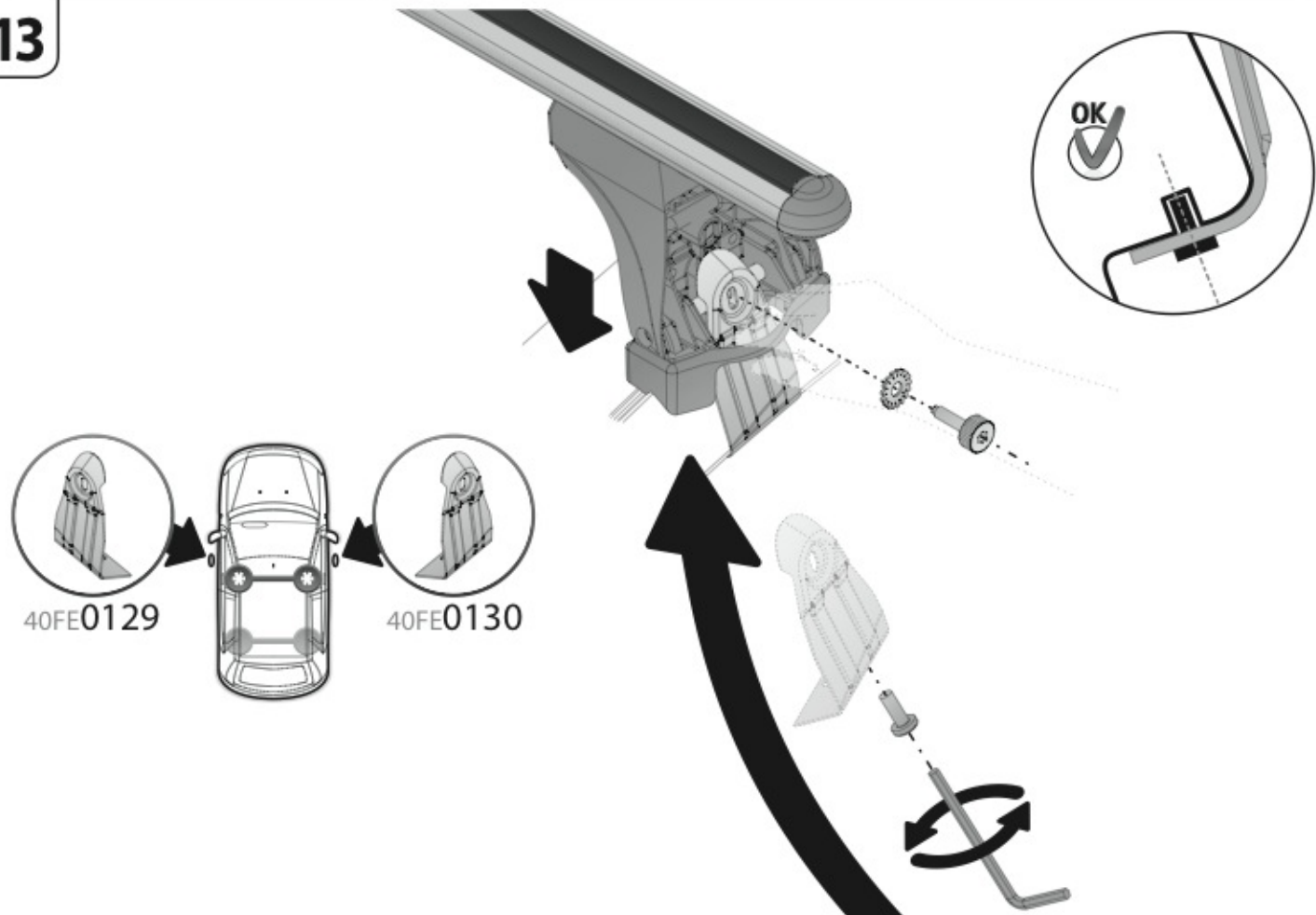
11



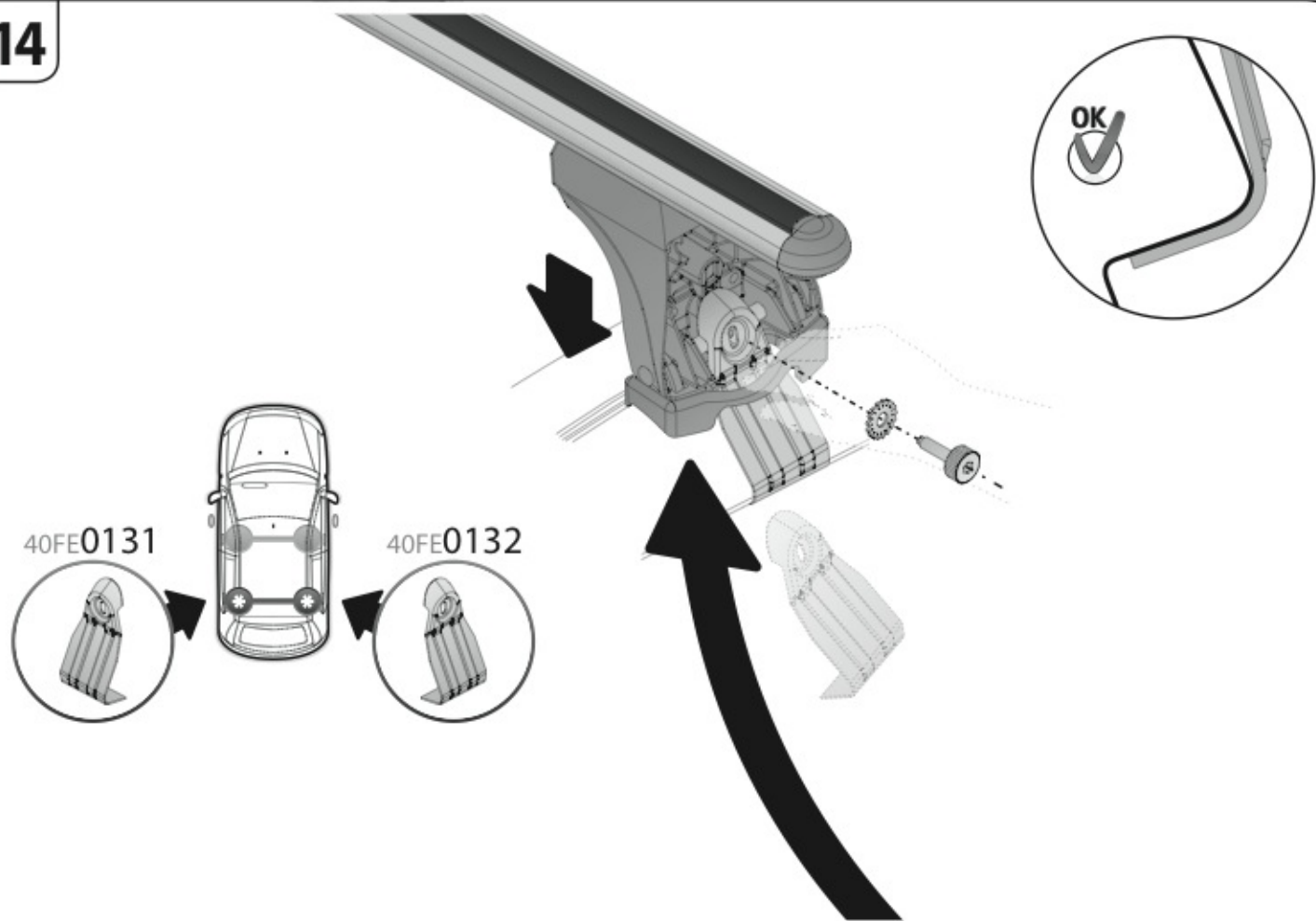
12



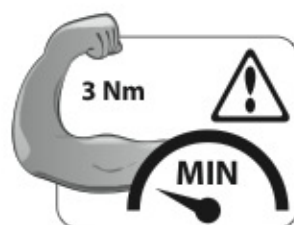
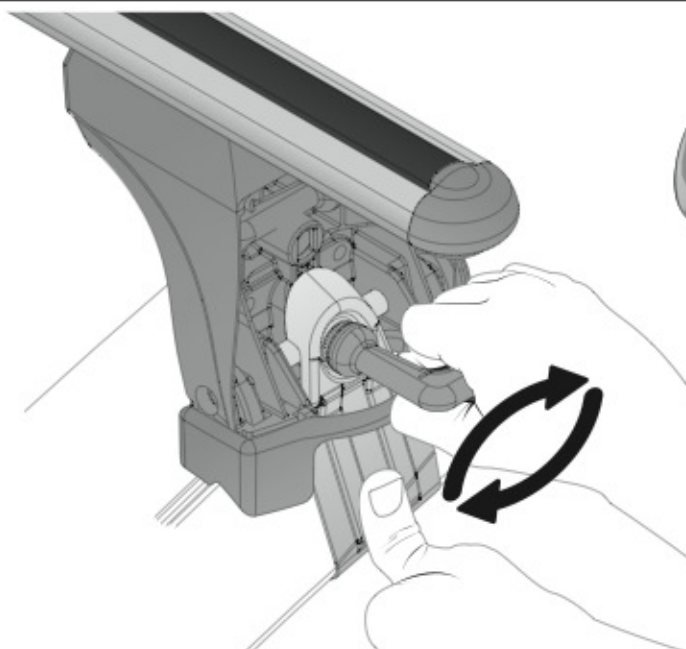
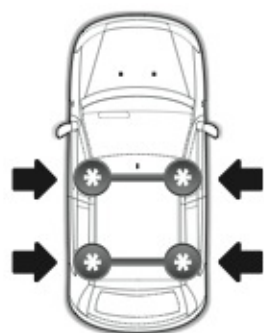
13



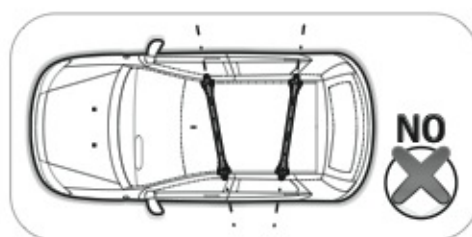
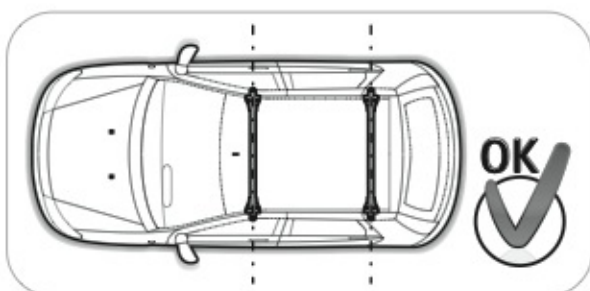
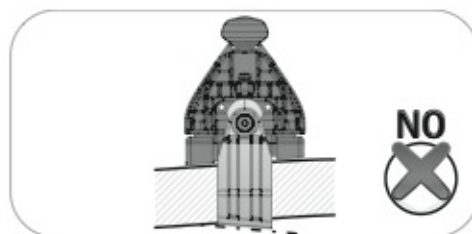
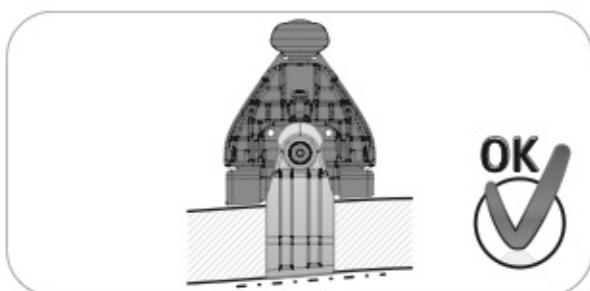
14



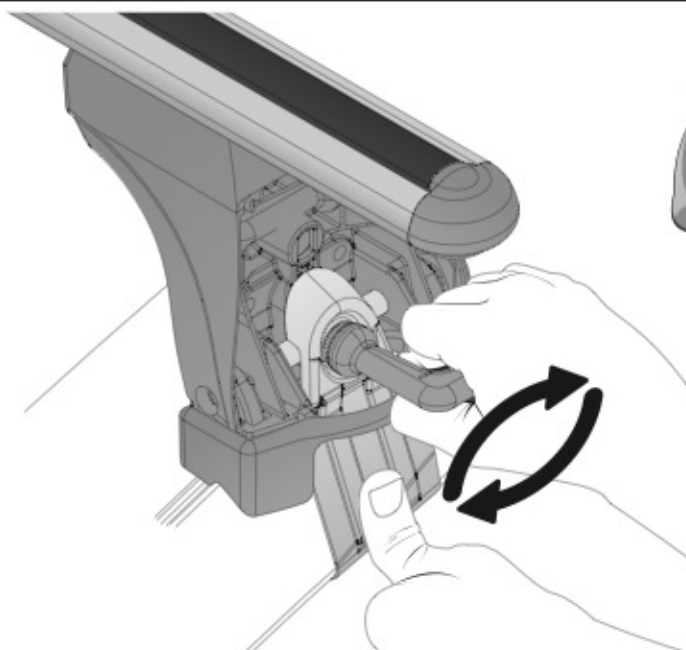
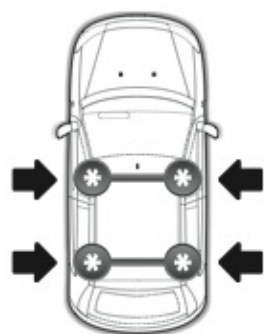
15



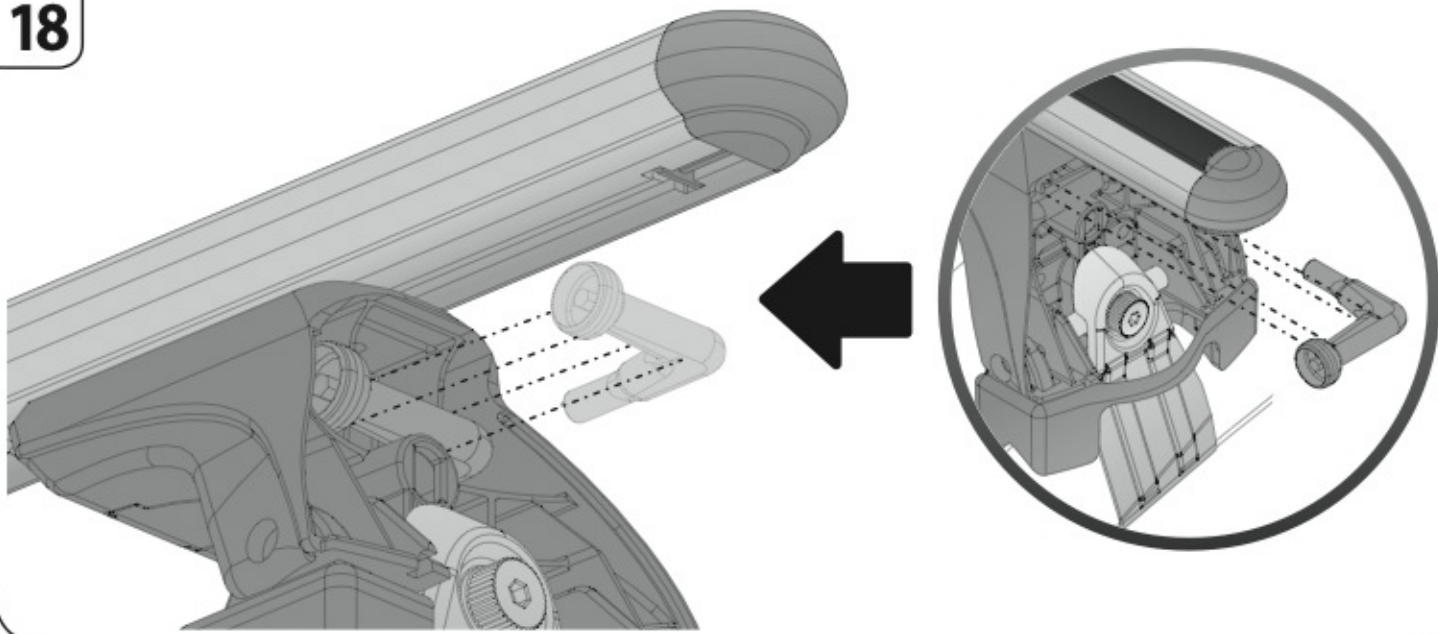
16



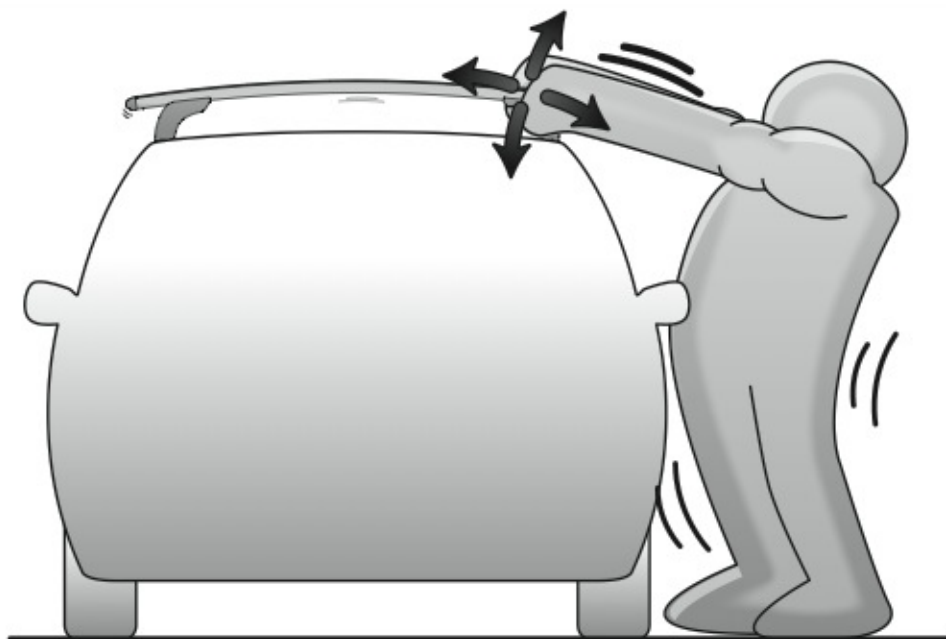
17



18



19



20

